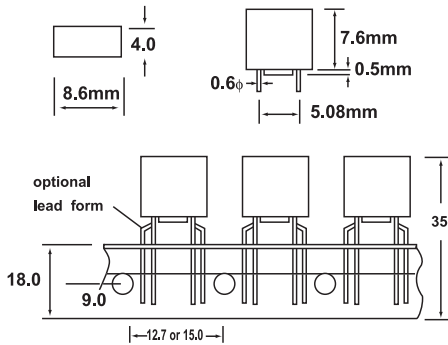
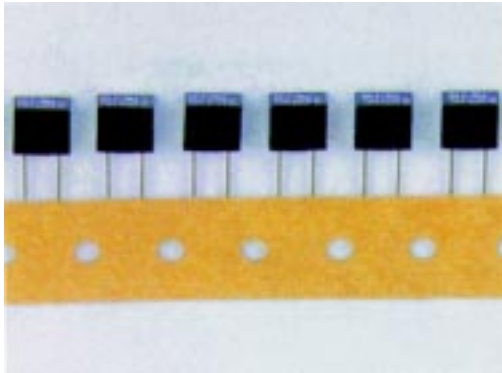


Subminiature Rectangular Fuse Time Lag

SS-5, Time-Lag

SS-5, Time-Lag



Specification

Time-Current Characteristic

Rated Amp.(In)	Clearing time
2.1 In	2min.max.
2.75 In	400ms-10s
4 In	150ms-3s

▷ Rated Voltage: 125V or 250V

▷ Interrupting Rating
50Aac for 1.6A and less
35Aac for 2A and over

▷ Approvals patents
 (Korean Std.) (Japan)
 C-UL, Recognized
 TUV certification

Korea, Japan patent pending

Application

TV, VCR, Monitor, Adapter, OA equip, Communication equip, Ballast, Game set, Other small dimension devices.

Distinction

*Approvals covering American, (UL/CSA) Asian (Korea/Japan) & Europe (TUV certification).

*Low profile, compact size.

*Replaceable conventional Microfuses and Cartridge fuses.

*The most competitive cost by innovated manufacturing technology (Korea, Japan patent)

*Time lag (surge-proof) characteristics & higher breaking capability than others'.

*Bulk packing or Taped packing is available.

*UL94V-0 unflammable plastic body.

*Tin plated lead wire

Products (C-UL approved)

400mA 500mA 630mA 800mA

1A 1.25A 1.6A 2A

2.5A 3.15A 4A 5A

